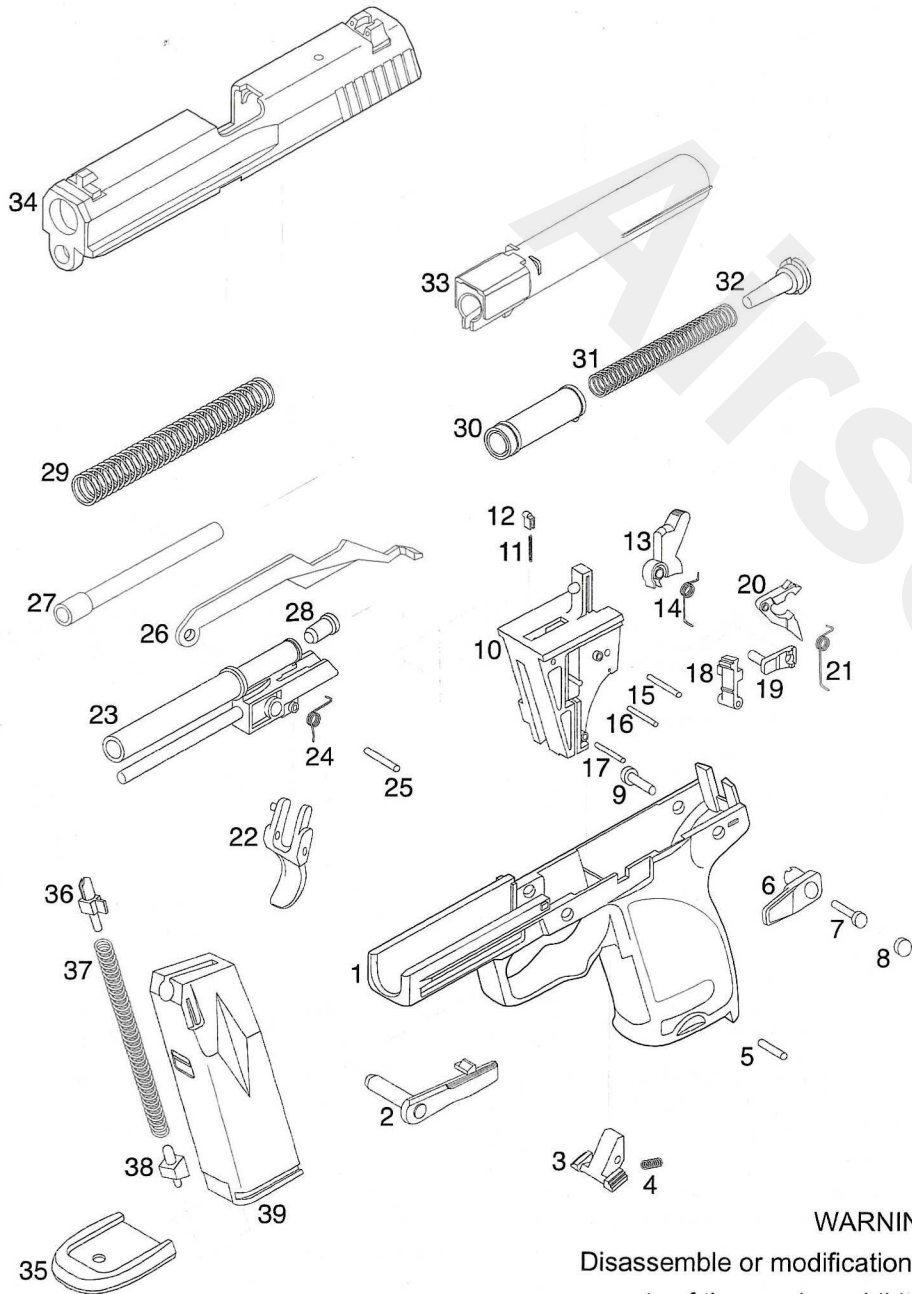


EXPLODED DRAWING



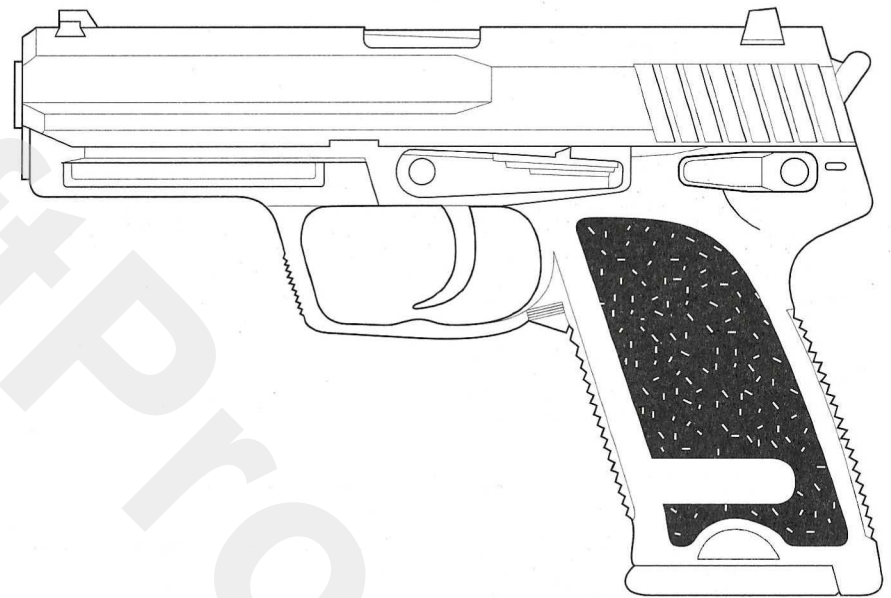
WARNING

Disassemble or modification of any parts of the gun is prohibited

AIR SOFT GUN WITH FULL SIZE MAGAZINE

6mm BB bullets only

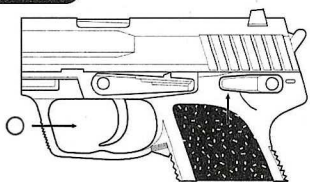
Y&P OPERATION MANUAL 説明書



Be sure to read this instruction carefully before using

1.SAFETY DEVICE 保險桿的使用

SHOOTING



- Push the safety lever up to release the gun from lock position. 保險桿在上方時，則可扣板機。



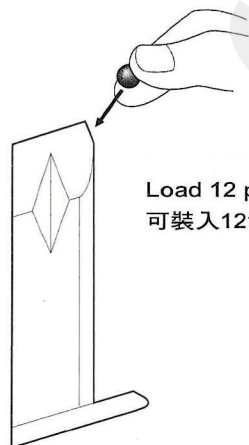
- Pull the safety lever down for safety position. 保險桿在下方時，絕不可勉強扣機，否則會產生故障。

2.LOADING BB PELLET 子彈填裝



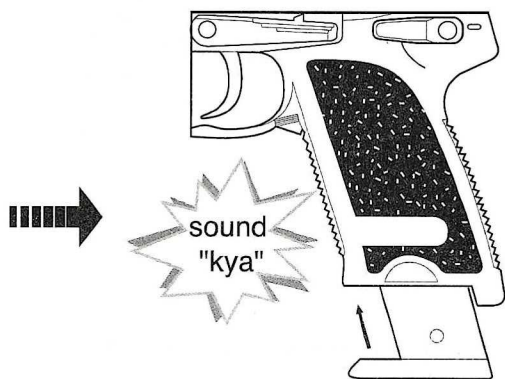
Magazine catch
彈匣卡筭

Press the magazine catch and pull out the magazine from the gun. 按下彈匣卡筭，才可由下方取出彈匣。



Load 12 pellets
可裝入12發BB彈

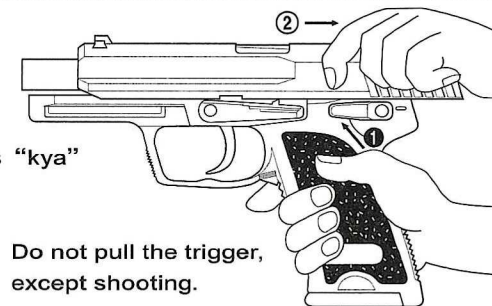
Must not load more than 13 pellets in the magazine. 請勿勉強裝入13發BB彈，以免造成故障。



Insert the magazine back to the gun body till it sounds "kya" 彈匣推入槍身直到發出卡住的聲響為止。

3.SHOOTING 操作要領

1. Move up safety lever 保險桿往上推。



2. Pull the slide back fully till it sounds "kya" 如右圖示，將滑套往後拉直到發出卡住的聲響為止。

Do not pull the trigger, except shooting.

3. Pull the trigger backward then the pellet will be shot. 扣板機



4. Repeat 2 and 3 for continuous shots. 重覆 2 到 3 的動作即可連續射擊。

WARNING 請特別注意

- Do not look into muzzle.
- Do not use other pellets than the peculiar ones.



- Do not aim at any people



- Do not shoot at any hard surface to avoid rebounding.



- When not in use, do not pull back avoid causing spring elasticity weakened.



Notice:

When you finish shooting, please do something as below:

1. Pull the magazine out, point to the safe direction, and do 2 or 3 times' blank shoot to make sure that there is no pellet left in the gun.
2. Place the gun at a higher place and keep out of the reach of children.